

IS 345

DALI-2 Input Device - surface, rd.
 EAN 4007841 057299
 Article number 057299



infrared sensor 360°



max. 20 x 4 m



IP54



2 - 1000 lux



ideal 2.5 - 5 m



energy saving

5 years

manufacturer's warranty
 steinel-professional.de/
 garantie



CE

Function description

Huge reach. Infrared motion detector IS 345 for indoors and out, ideal for passageways, corridors and commonly used spaces, installation height 5 m, detection zone 12 x 6 m (radial) and 23 x 6 m (tangential). Available either in round or square surface-mounted and concealed version. DALI-2 Input Device enables sensors to communicate collected sensor data to higher-level lighting management systems (e.g. LiveLink).

Technical specifications

Dimensions (L x W x H)	78 x 95 x 95 mm	Mounting height	2,5 – 5 m
Dimensions (Ø x H)	126 x 78 mm	Mounting height max.	5,00 m
With motion detector	Yes	Optimum mounting height	2,8 m
Manufacturer's Warranty	5 years	Detection angle	Aisle, 360 °
Settings via	Bus	Angle of aperture	45 °
With remote control	No	Sneak-by guard	Yes
Version	DALI-2 Input Device - surface, rd.	Capability of masking out individual segments	Yes
PU1, EAN	4007841057299	Electronic scalability	No
Type	Motion detectors	Mechanical scalability	No
Application, place	Outdoors, Indoors	Reach, radial	12 x 6 m (72 m ²)
Application, room	corridor / aisle, multi-storey / underground car park, outdoors, Indoors	Reach, tangential	23 x 6 m (138 m ²)
Colour	white	Switching zones	280 switching zones
Colour, RAL	9003	Twilight setting	2 – 1000 lx
Includes corner wall mount	No	Basic light level function	No
Installation site	ceiling	Basic light level function time	1-30 min, all night
Installation	Surface wiring, Ceiling	Main light adjustable	No

IS 345

DALI-2 Input Device - surface, rd.
 EAN 4007841 057299
 Article number 057299



Technical specifications

IP-rating	IP54
Ambient temperature	from -20 up to 50 °C
Material	Plastic
Mains power supply	12 – 22,5 V / 50 – 60 Hz
Power supply, detail	DALI bus
Number of Dali users	3
Steuerausgang, Dali	Addressable/slave
With bus coupling	Yes
Technology, sensors	passive infrared, Light sensor

Twilight setting TEACH	No
Constant-lighting control	No
Interconnection	Yes
Type of interconnection	Master/slave
Interconnection via	DALI bus
Max. Current consumption according to IEC 62386-101	24 mA
Typical current consumption at 16V input voltage	5 mA
Max. Current consumption at 10V input voltage in regular operation	7 mA
Product category	Motion detector

Accessories

EAN 4007841 009151	Remote control Smart Remote
EAN 4007841 056735	Black cover for IR-sensors

IS 345

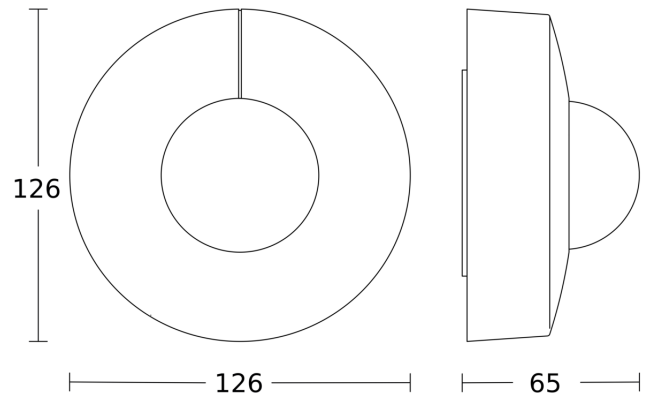
DALI-2 Input Device - surface, rd.
EAN 4007841 057299
Article number 057299

Detection Zone



Possible mounting height: 2,50 m - 5,00 m
Orange: radial
Black: tangential

Dimension Drawing



Circuit diagram

